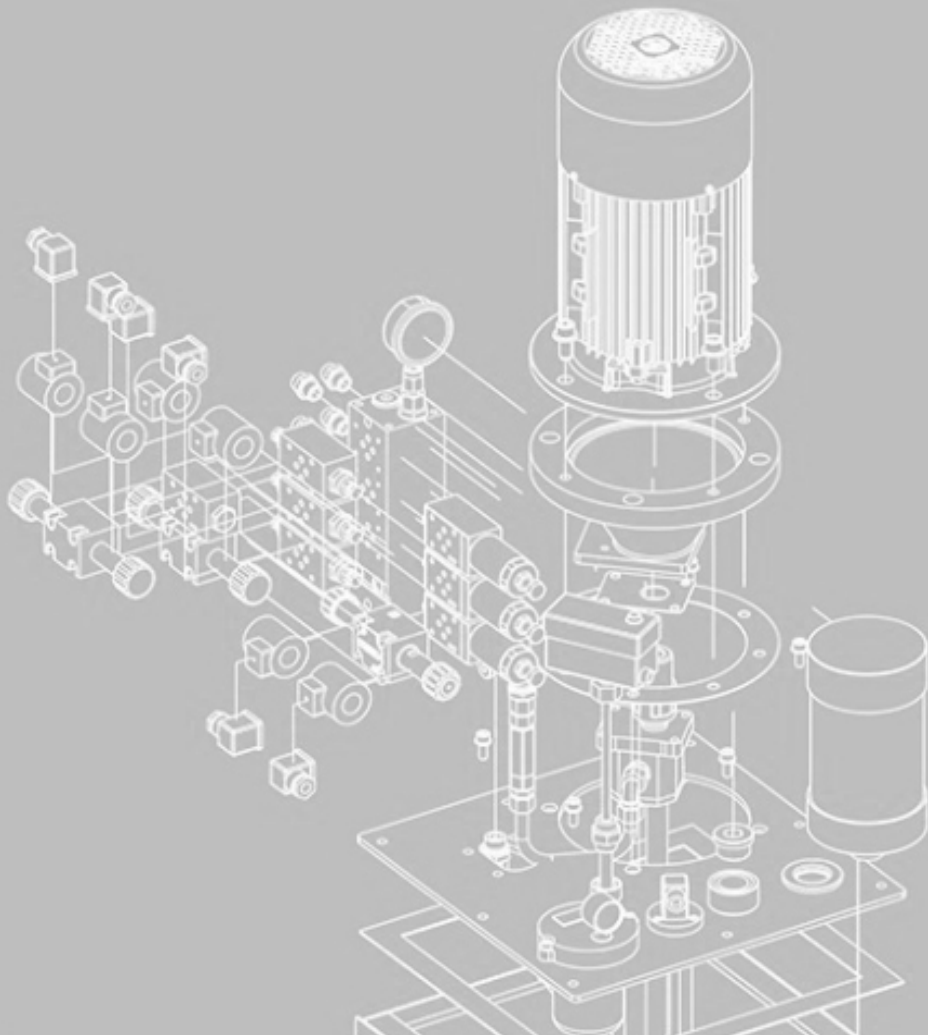
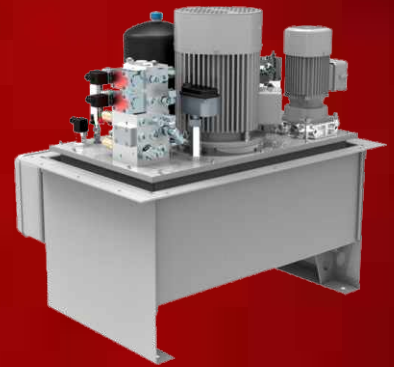
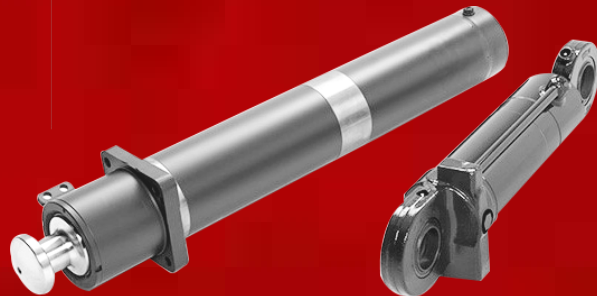
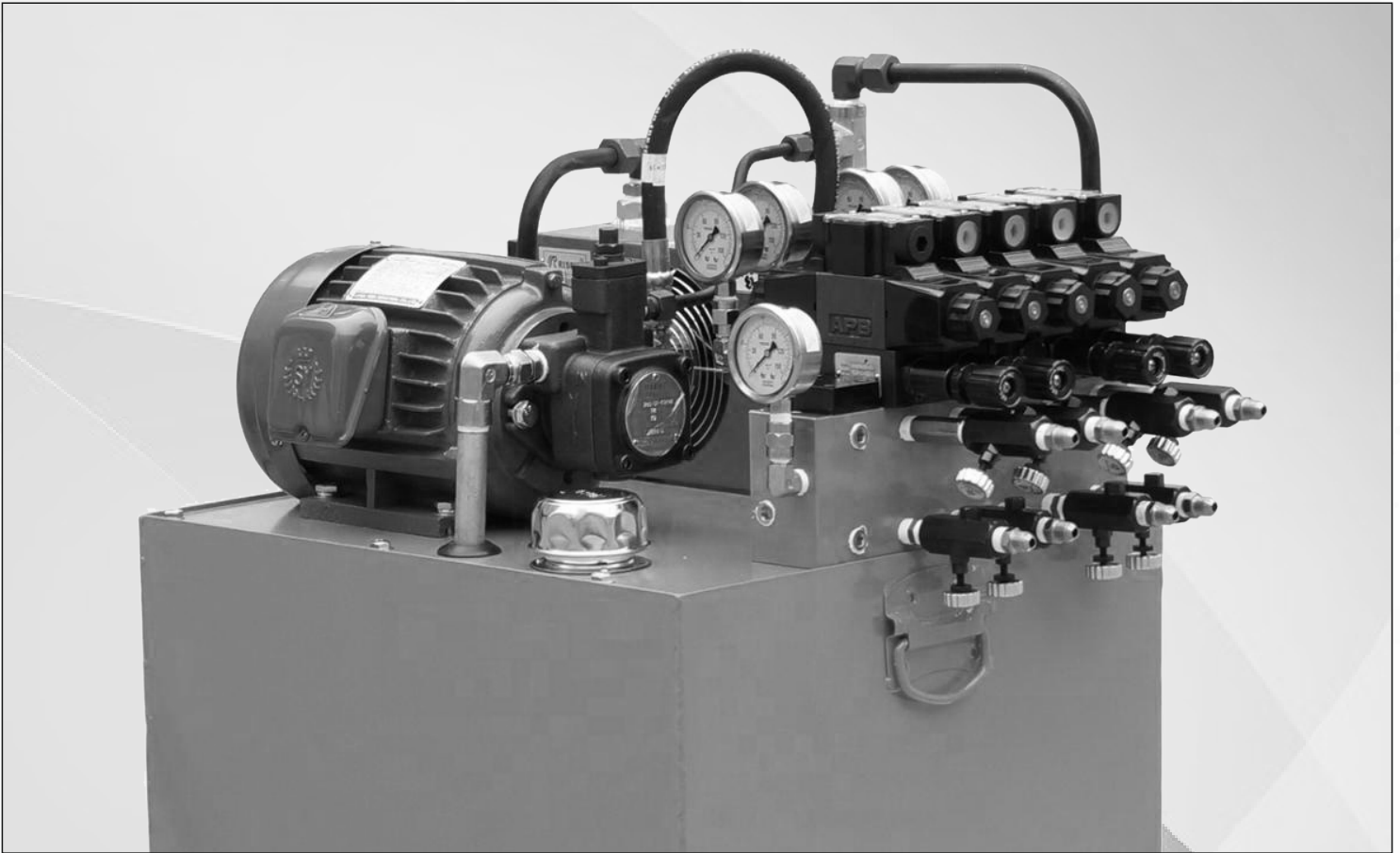




Merchant Hydraulic



All Type Of Hydraulic
Manufacturers,
Traders & Exporter



Features / Benefits:-

- Tank Capacity:- 5-5000 Liters
- Mfg Range :- 0.5 HP – 100 HP
- Pressure Range :- 0 To 700 Bar
- Type:- Automatic & Semi Automatic
- High & Low Speed/pressure
- Custom Design

Application Range:-

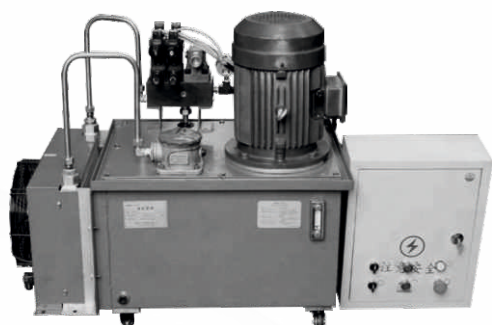
Construction & Earth Moving
Material Handling
Mining Industry
Steel Plant
Paper Industry
Marine Industry

Press Machine
Foundry Industry
Textile Industry
Plastic Industry
Ginning Industry
Valve Testing



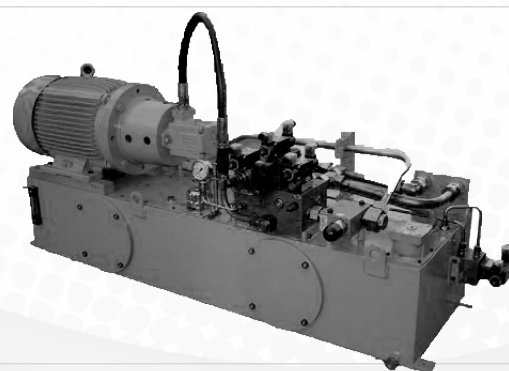
POWERPACK
WITH AIR COOLER

COMPACT HYDRAULIC
POWERPACK



POWERPACK
WITH ELE.PANEL

SHEARING
MACHINE POWERPACK

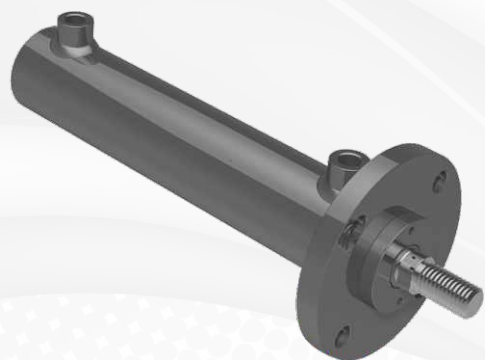


SCREEN CHANGER
POWERPACK



Features/benefits:-

- Single Acting/ Double Acting
- Bore Size – 30 – 500 mm
- Rod Size:-20-400 mm
- Stroke Length: Upto 6,000mm
- Capacity: 0.5 – 1000 Ton
- Working Pressure: Upto 700 Bar
- Hard Chrome Plated Rod To Resist Scoring & Corrosion
- Operating By: Handpump / Powerpack
- Type Of Construction:- Tie Rod, Welded, Threaded, Heavy Duty ,bolted Construction



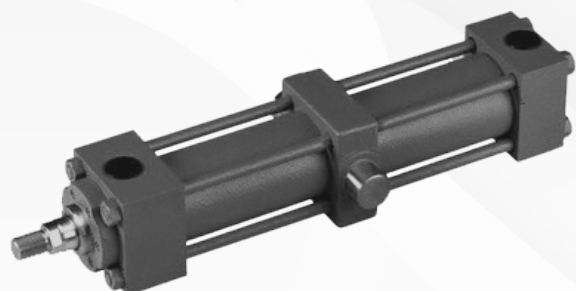
FRONT FLANGE

FOOT MOUNTING



DOUBLE ENDED

ROD FORK MOUNTING



TIE ROD CONSTRUCTION

CARTRIDGE VALVES



SOLENOID VALVE



MOBILE CONTROL VALVE



HYDRAULIC ACCESSORIES



HYDRAULIC FITTINGS





Merchant Hydraulic

Reg. Office

28,Shreenath Sarthak Ind.Estate,
Kathwada Ring Road,Ahmedabad
382430(Gujarat).

+91 9724955455 +91 9978726303

Email :

merchanthydraulics@gmail.com
sales@merchanthydraulic.com

Website :

www.merchanthydraulic.com
www.merchanthydraulics.com